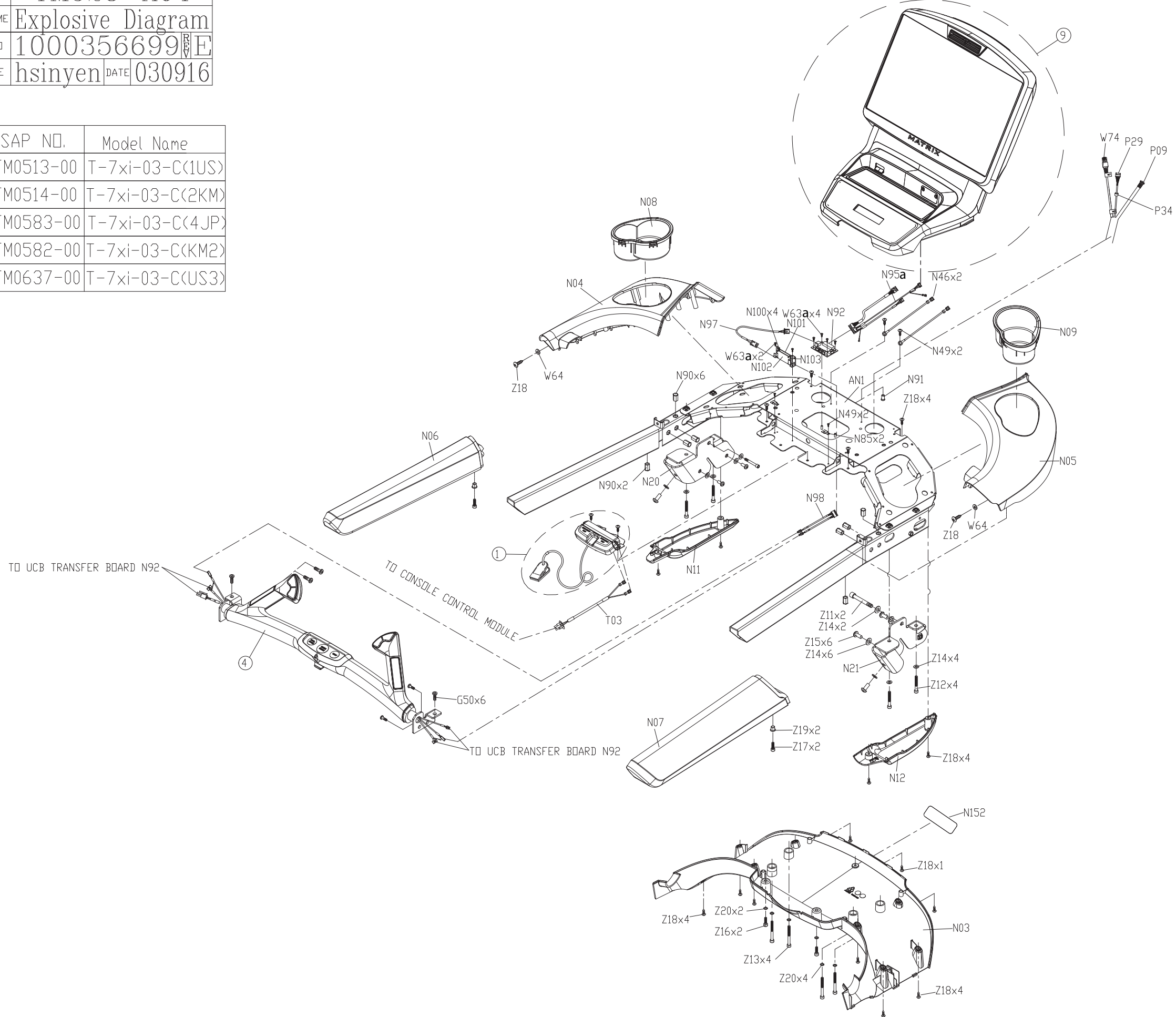
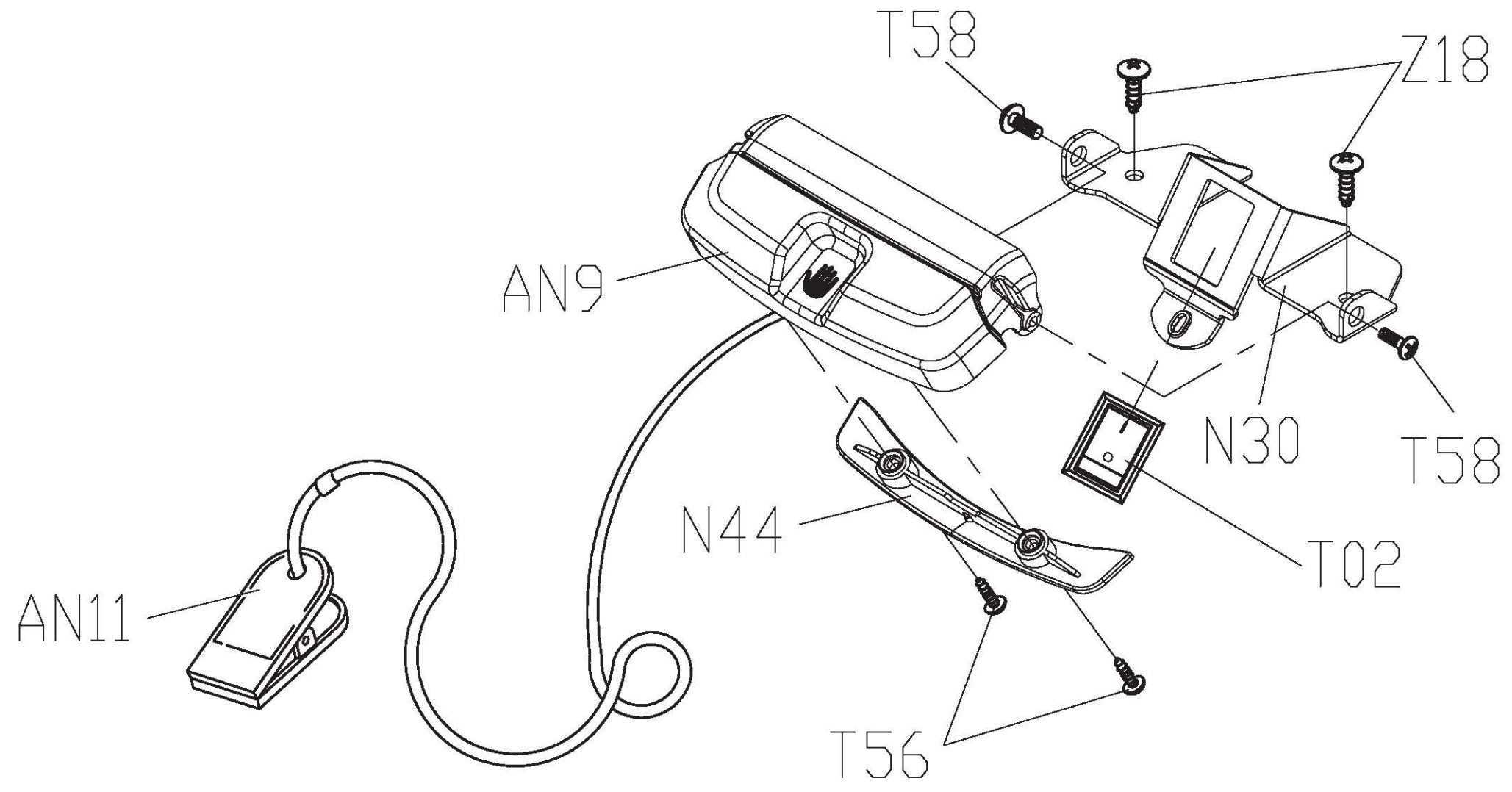


DRAWING NO	TM528-A04		
PART NAME	Explosive Diagram		
PART NO	1000356699		
APPROVE	hsinyen	DATE	030916

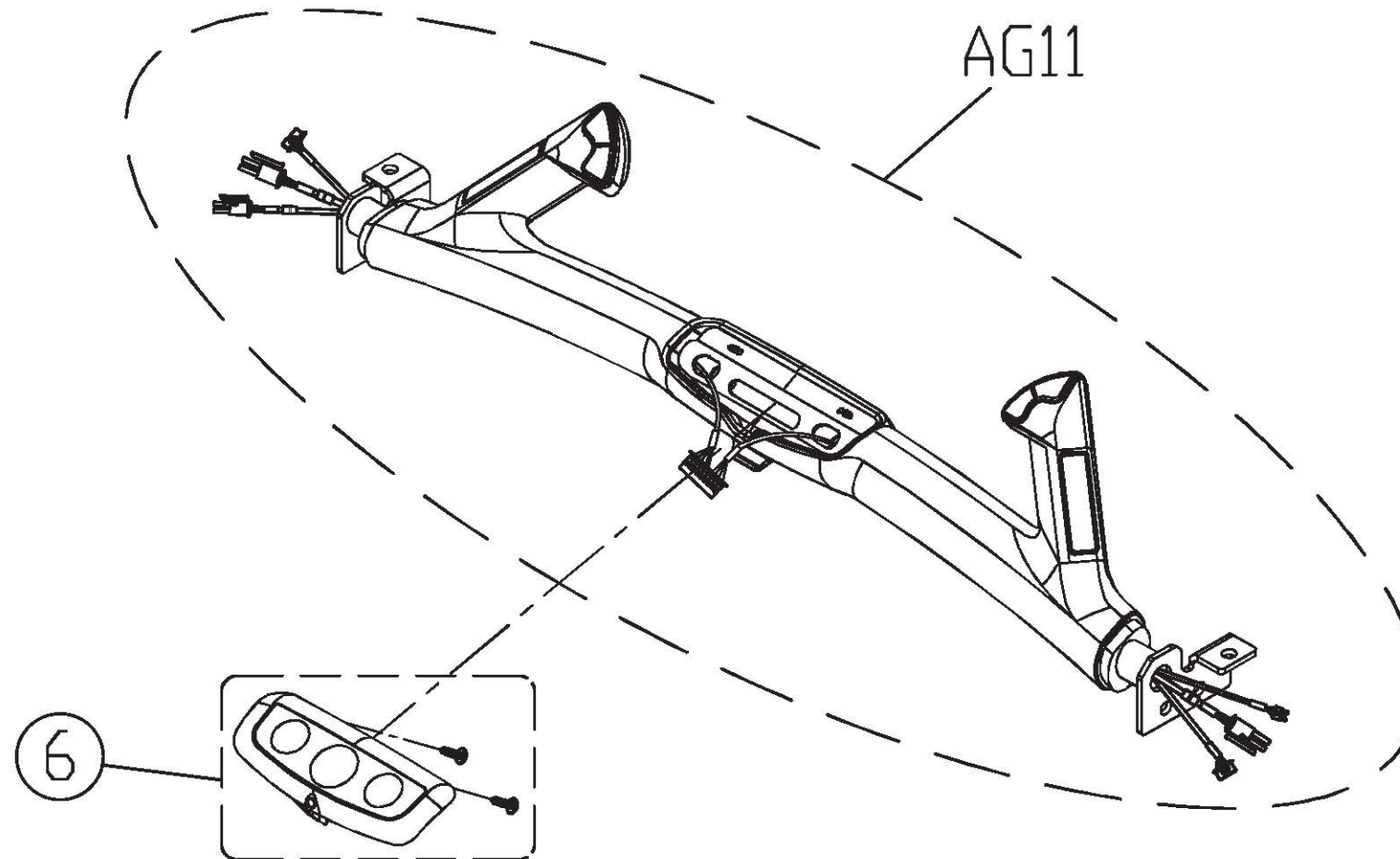
SAP NO.	Model Name
MTM0513-00	T-7xi-03-C<1US>
MTM0514-00	T-7xi-03-C<2KM>
MTM0583-00	T-7xi-03-C<4JP>
MTM0582-00	T-7xi-03-C<KM2>
MTM0637-00	T-7xi-03-C<US3>



DRAWING NO	TM501-AT6		
PART NAME	SAFETY KEY SET		
PART NO	1000233602 <sup>R</sup> / <sub>B</sub>		
APPROVE	S.T.C	DATE	083112

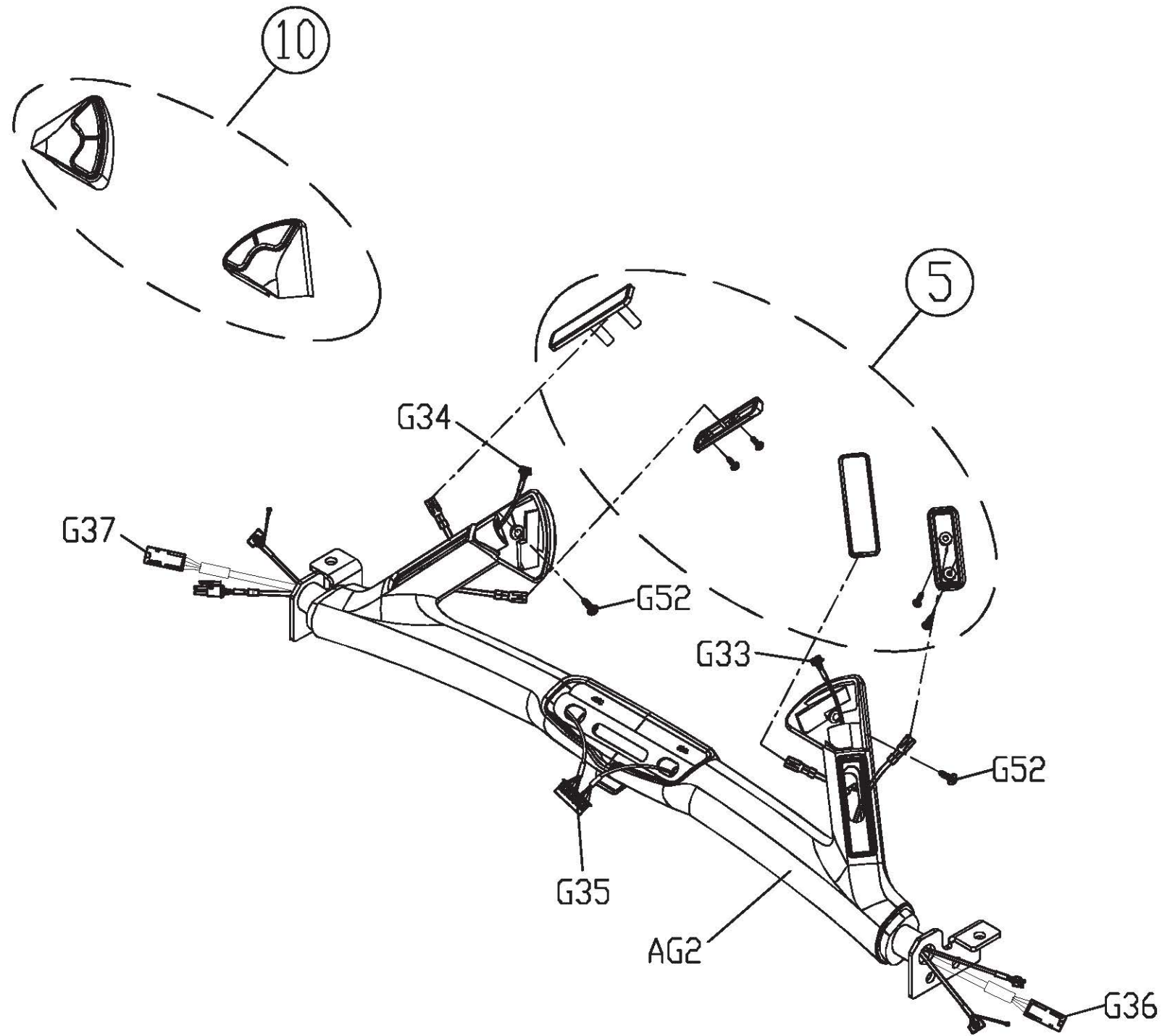


DRAWING NO	TM527-AG21		
PART NAME	Handlebar Set		
PART NO	As Attachment B		
APPROVE	SHUYI	DATE	052115

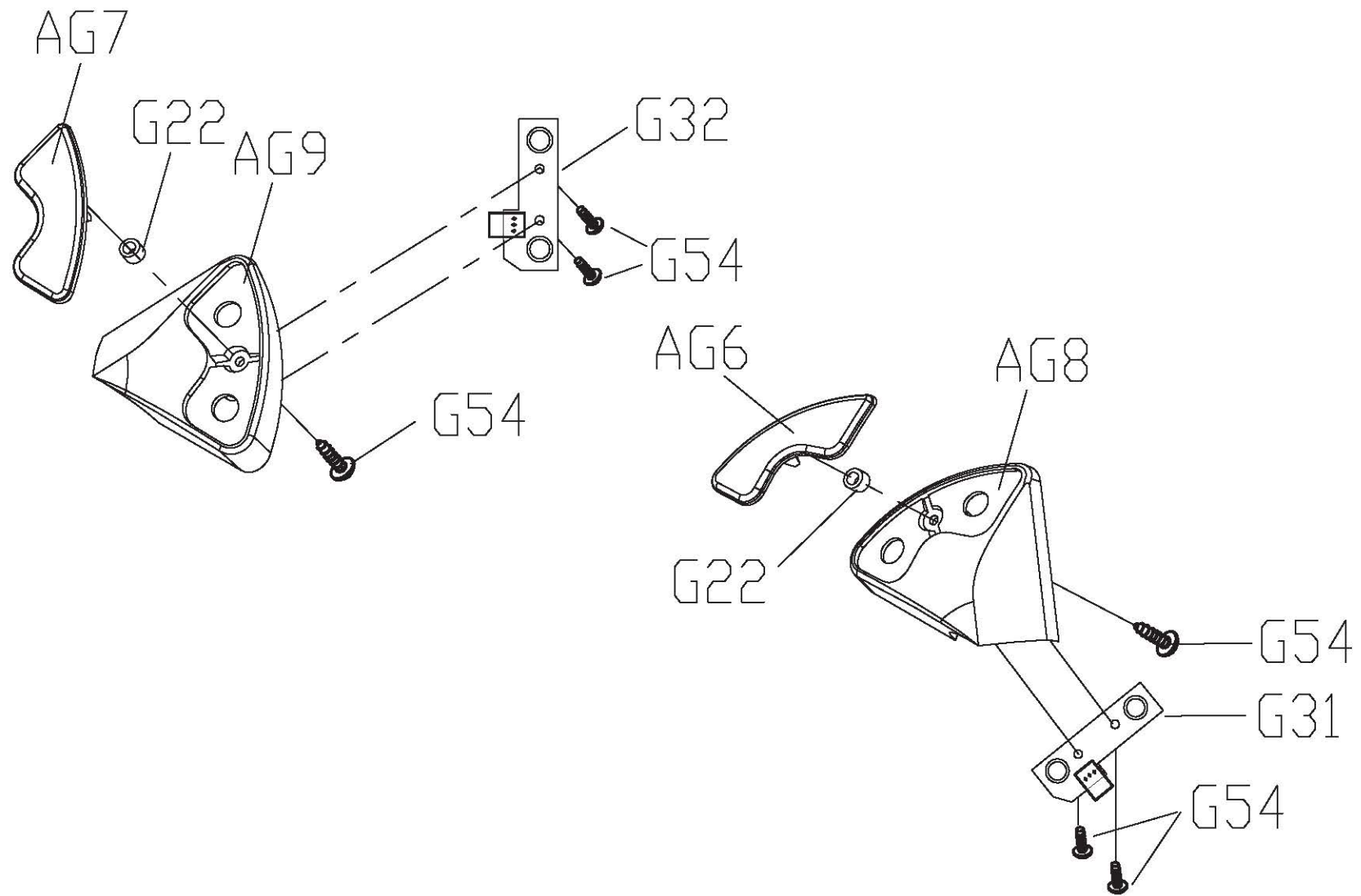


Part NO	Description
1000356217	Handlebar Set;English
1000361041	Handlebar Set;German
1000361043	Handlebar Set;Spanish
1000361045	Handlebar Set;Italian
1000361047	Handlebar Set;French
1000361050	Handlebar Set;Dutch
1000361052	Handlebar Set;Polish
1000361054	Handlebar Set;Portuguese
1000356360	Handlebar Set;Japan

DRAWING NO	TM527-AG11		
PART NAME	Handlebar Set		
PART NO	1000356383 <small>REV</small> C		
APPROVE	Hsinyen	DATE	030915



DRAWING NO	TM502-AG12		
PART NAME	Quick Key Set		
PART NO	0000089687B		
APPROVE	SHUYI	DATE	101211

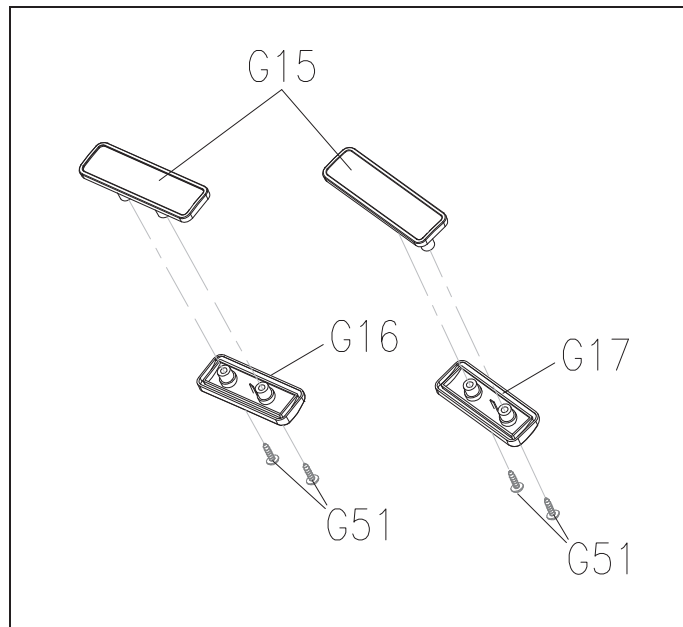





# T7x-01-C

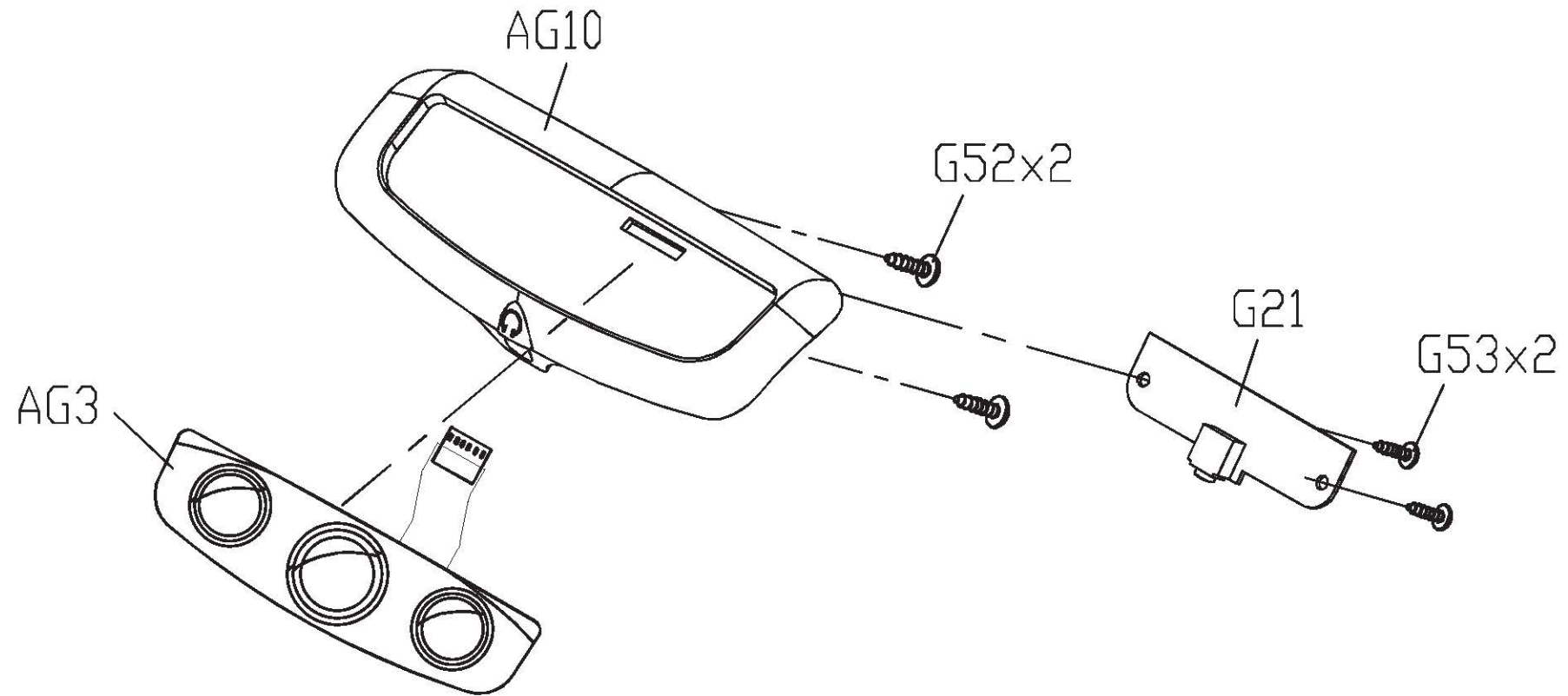
0000091816

## HR GRIP COVER SET



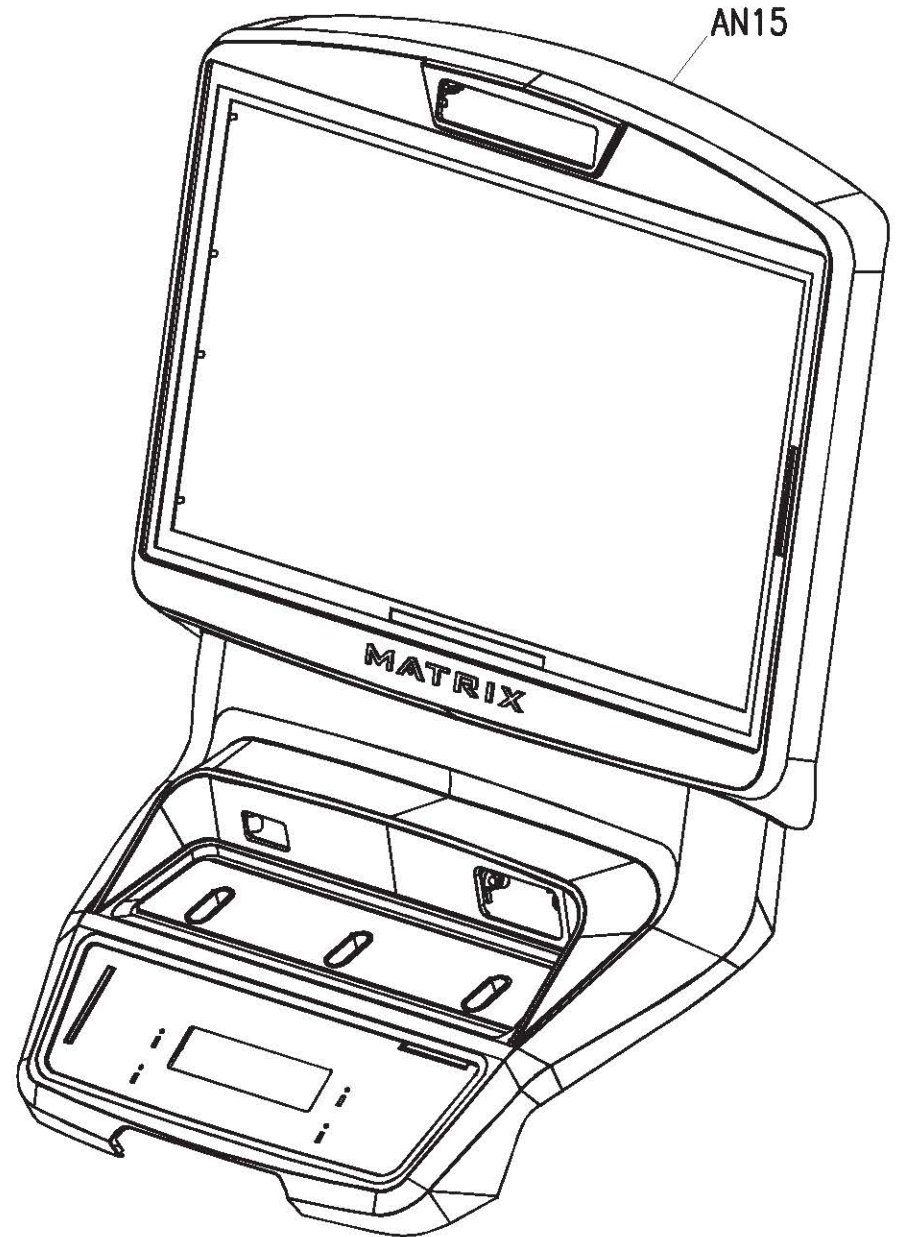
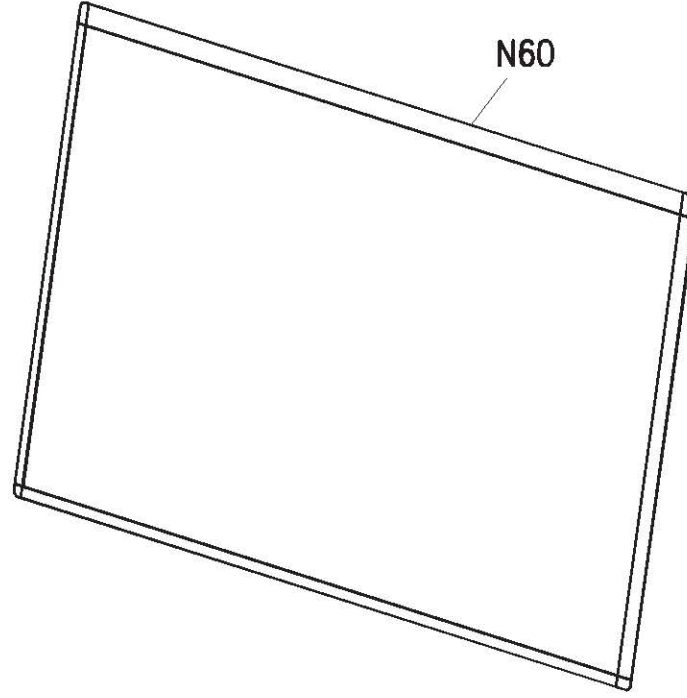
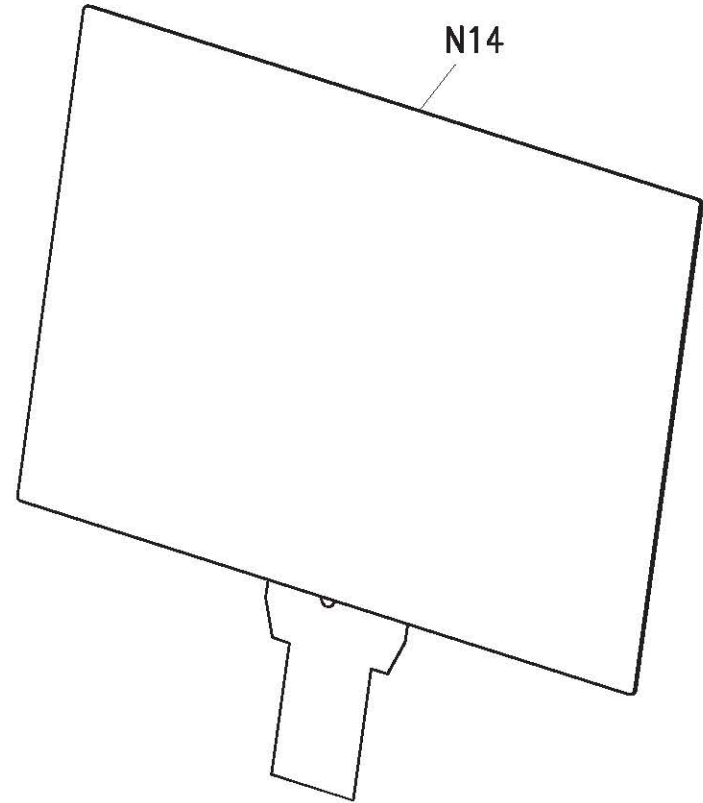
Item No.	SAP Part NO	Description	QTY
G15	0000086068	COVER; SENSOR; UPPER	2
G16	0000086092	COVER; SENSOR; LEFT;	1
G17	0000086271	COVER; SENSOR; RIGHT;	1
G51	0000087858	SCREW; PHILLIP; ROUND;	4

DRAWING NO	TM527-AG12		
PART NAME	Quick Start Overlay Set		
PART NO	As Attachment  B		
APPROVE	SHUYI	DATE	052115



Part NO	Description
1000356218	ES/MS;English;T-7xe-05-C
1000361042	MS;German;T-7xe-05-C
1000361044	MS;Spanish;T-7xe-05-C
1000361046	MS;Italian;T-7xe-05-C
1000361049	MS;French;T-7xe-05-C
1000361051	MS;Dutch;T-7xe-05-C
1000361053	MS;Polish;T-7xe-05-C
1000361055	MS;Portuguese;T-7xe-05-C
1000356361	MS;Japan;T-7xe-05-C

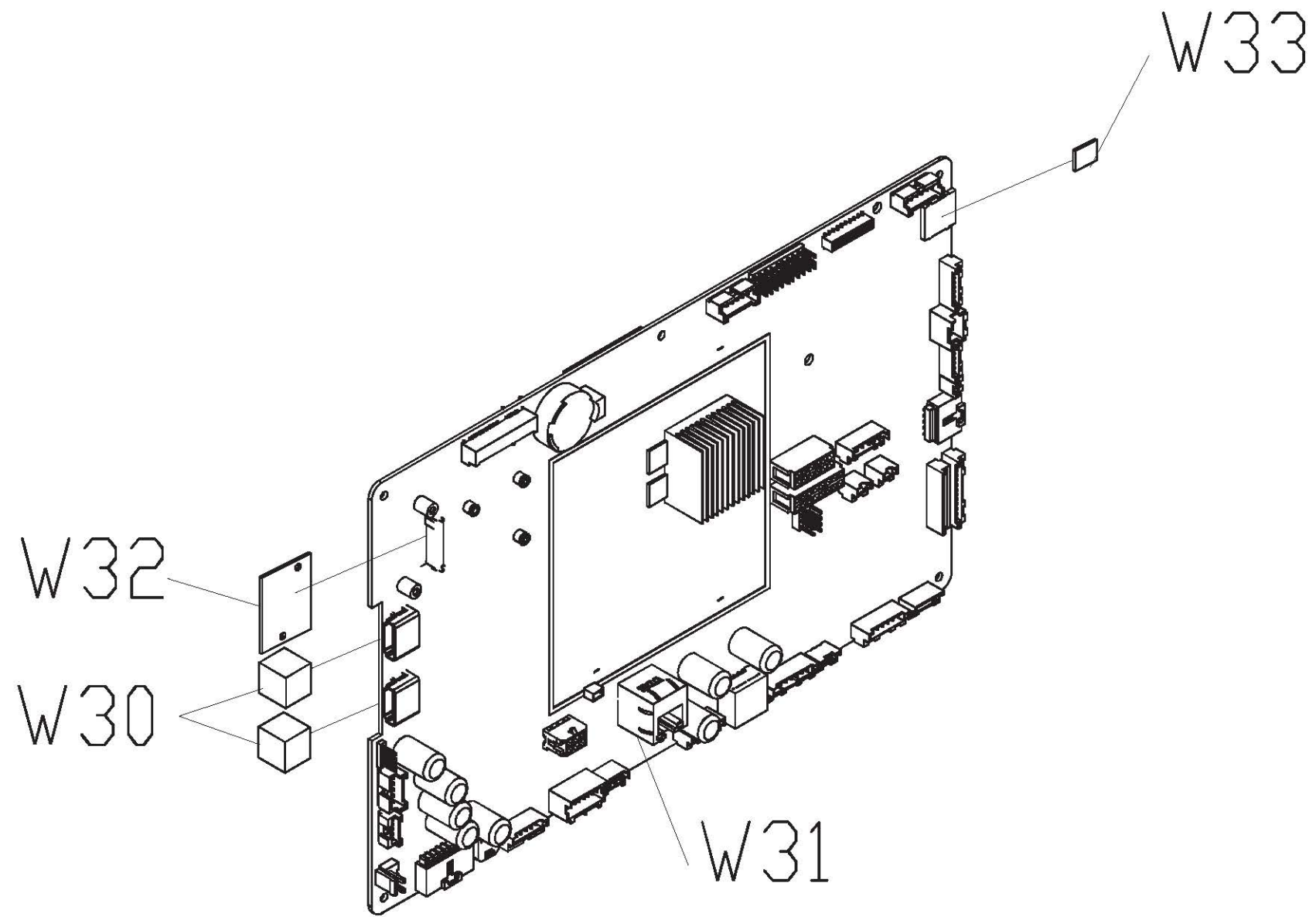
DRAWING NO	TM528-AN14		
PART NAME	Overlay Set;Touch panel		
PART NO	1000356706 R/A		
APPROVE	Hunter	DATE	01222015





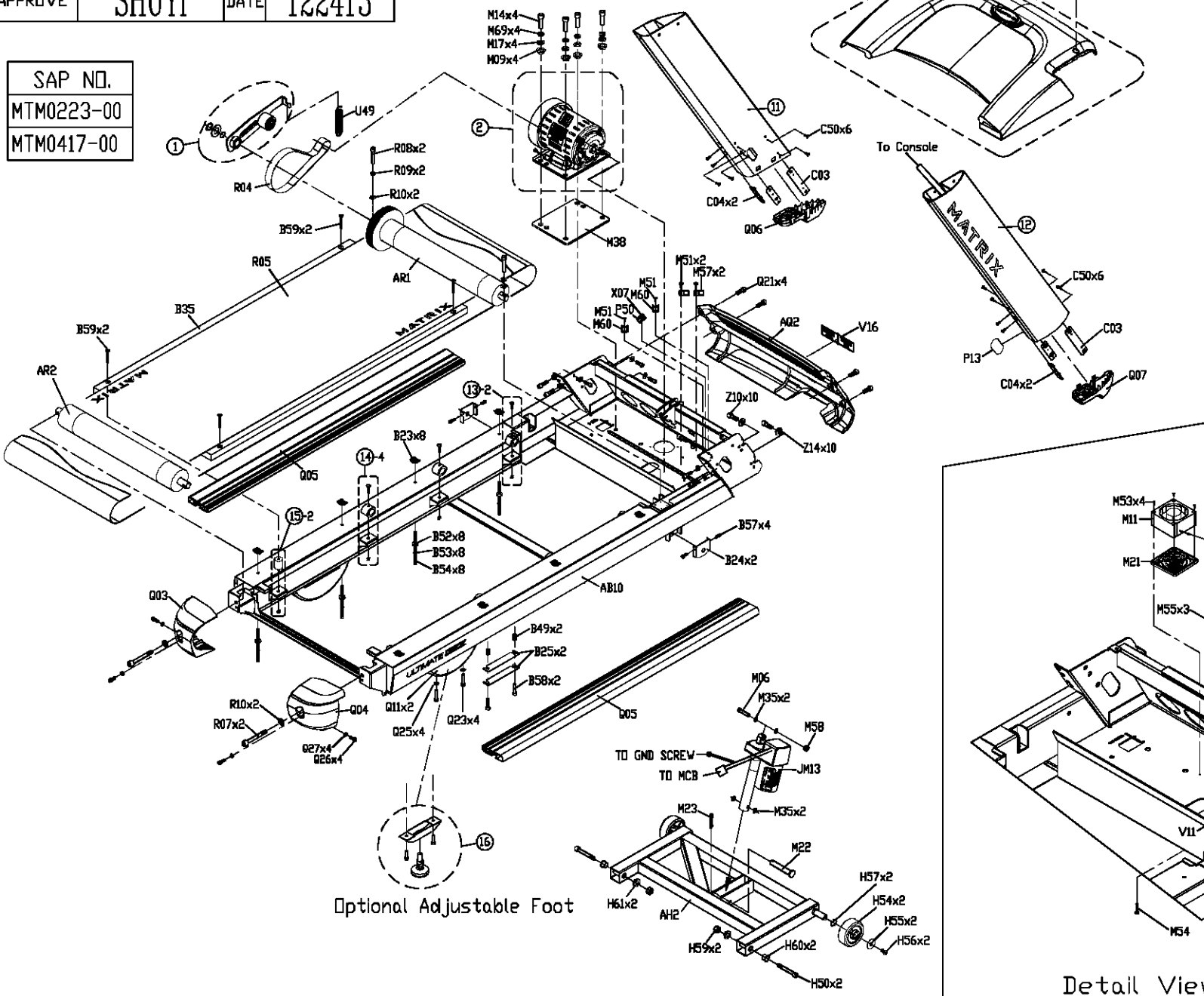


DRAWING NO	TM528-AW1		
PART NAME	Control Board Set		
PART NO	1000356705 R/G		
APPROVE	Hsinyen	DATE	093015

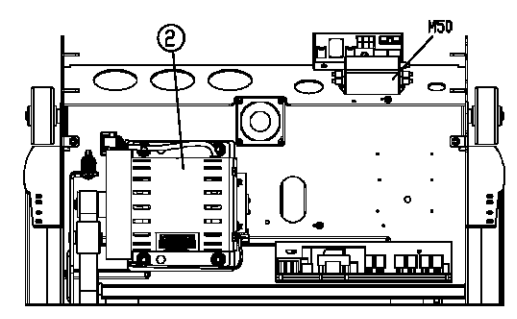


DRAWING NO	TM501E-A04		
PART NAME	Explosive Rendering Farme		
PART NO	1000216449RH		
APPROVE	SHUYI	DATE	122413

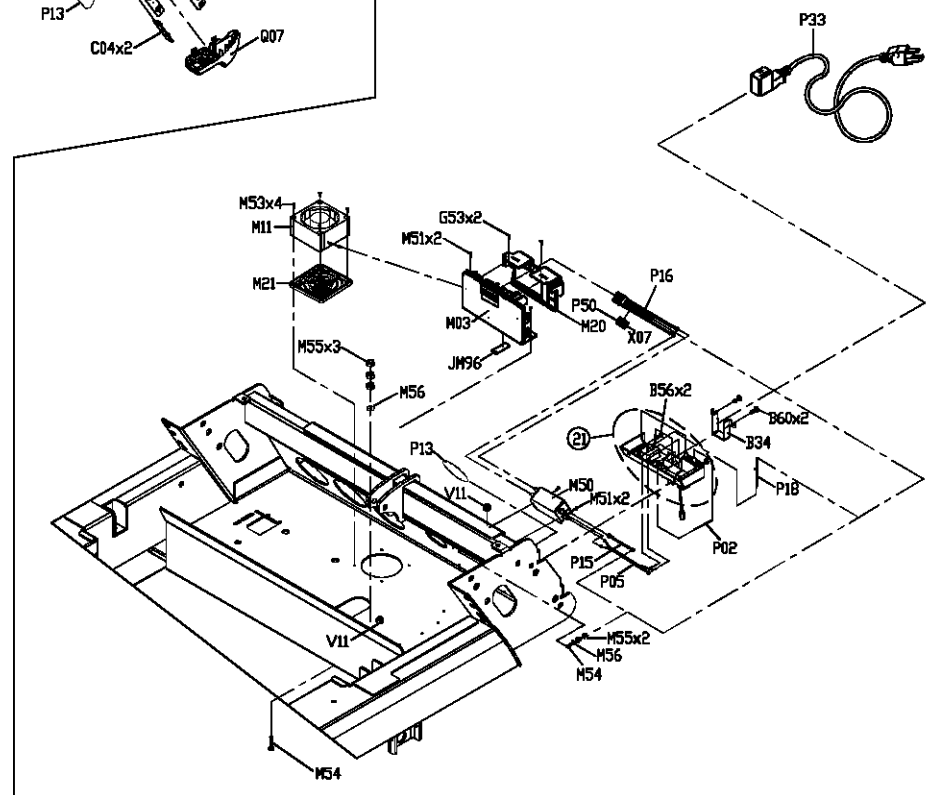
SAP NO.
MTM0223-00
MTM0417-00



Optional Adjustable Foot

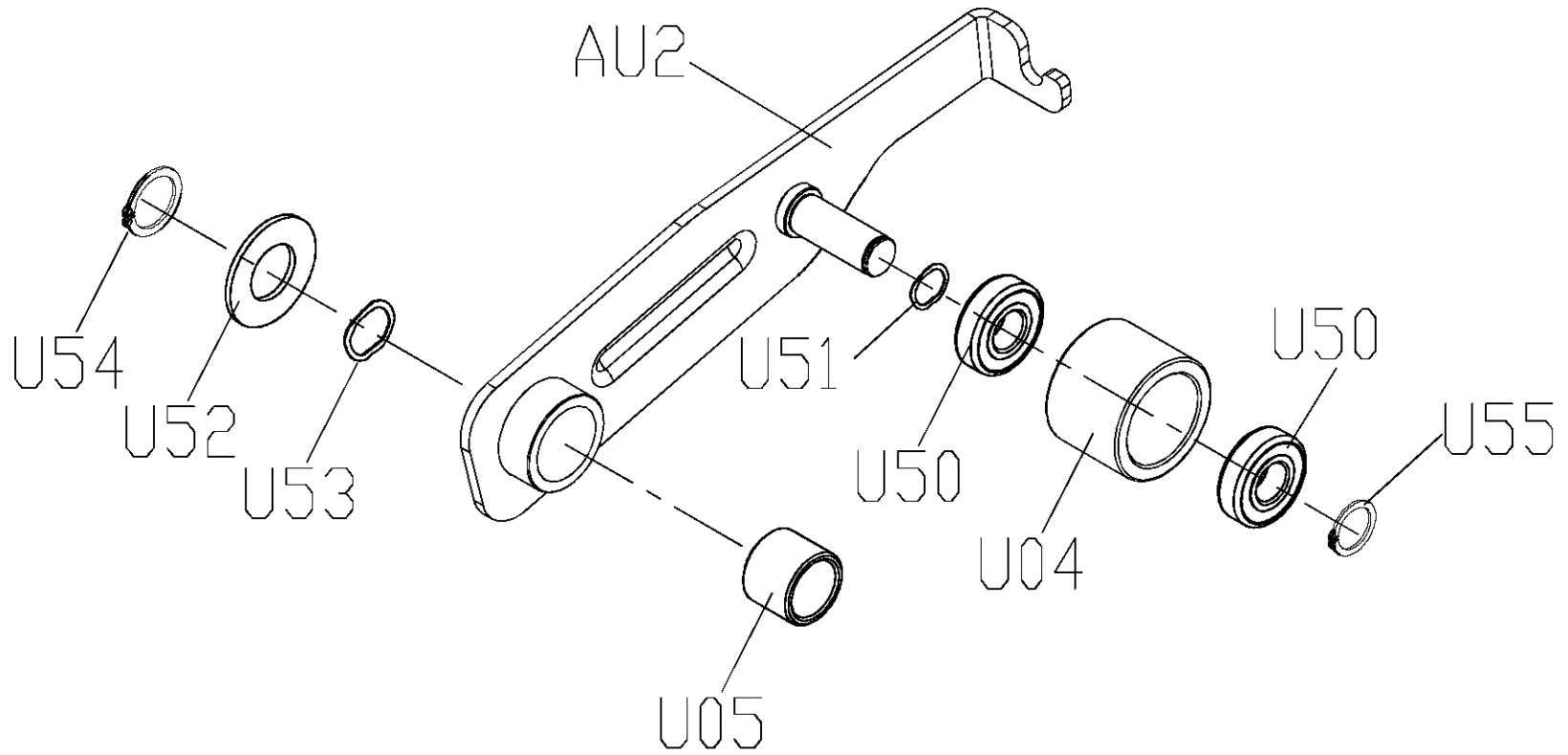


Top View of Electrical Components

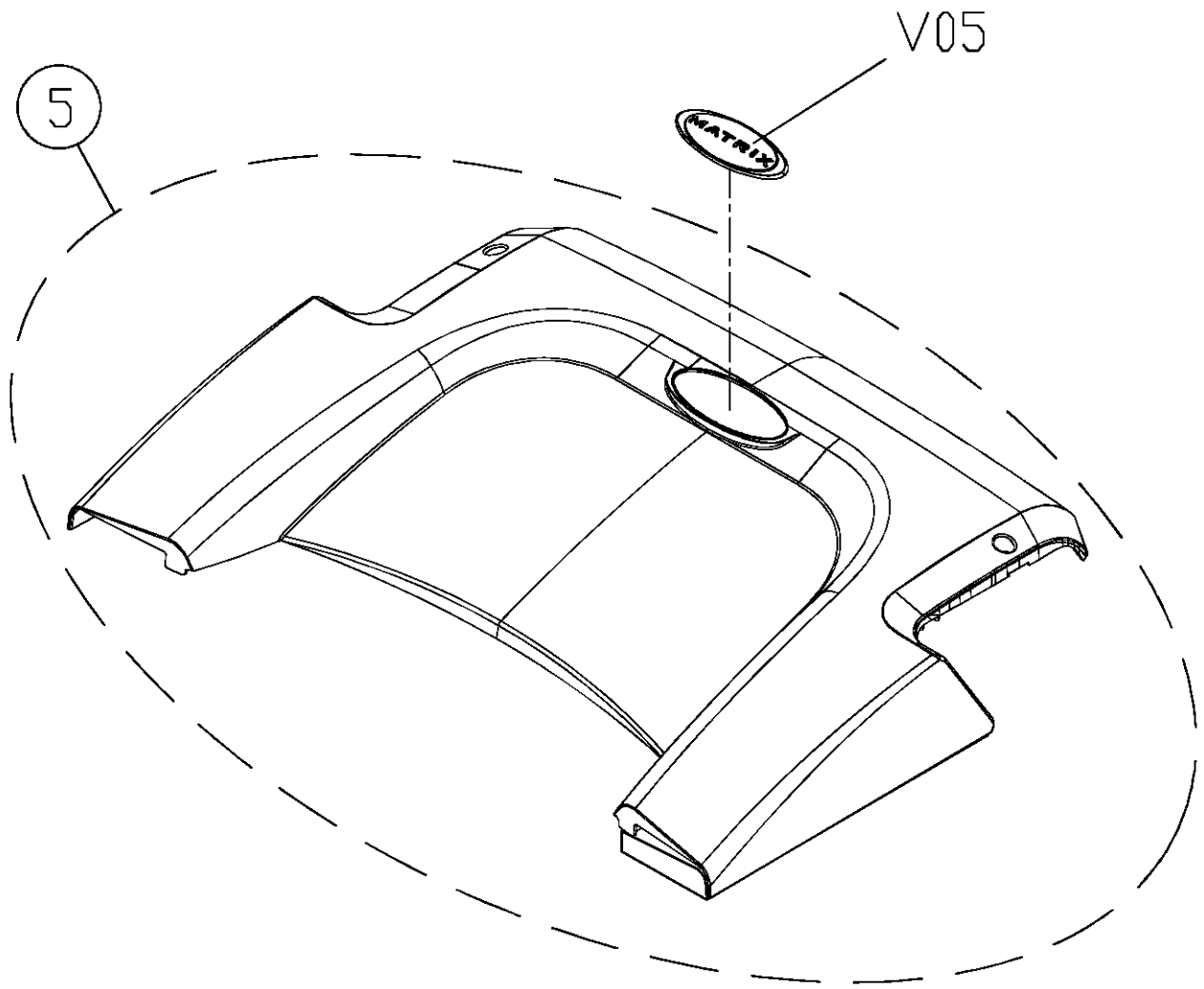


Detail View of Electrical Components

DRAWING NO	TM501-AU11		
PART NAME	TENSION WHEEL SET		
PART NO	0000088969 B		
APPROVE	SHUYI	DATE	122413

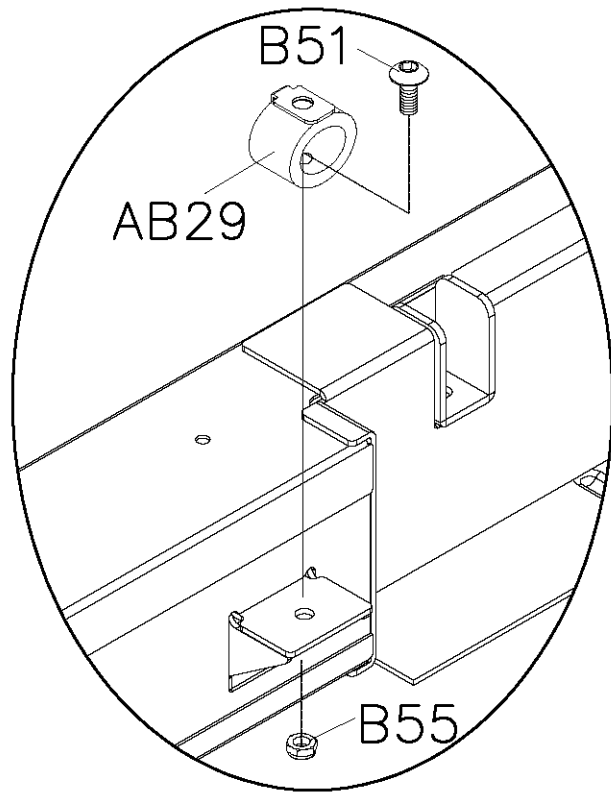
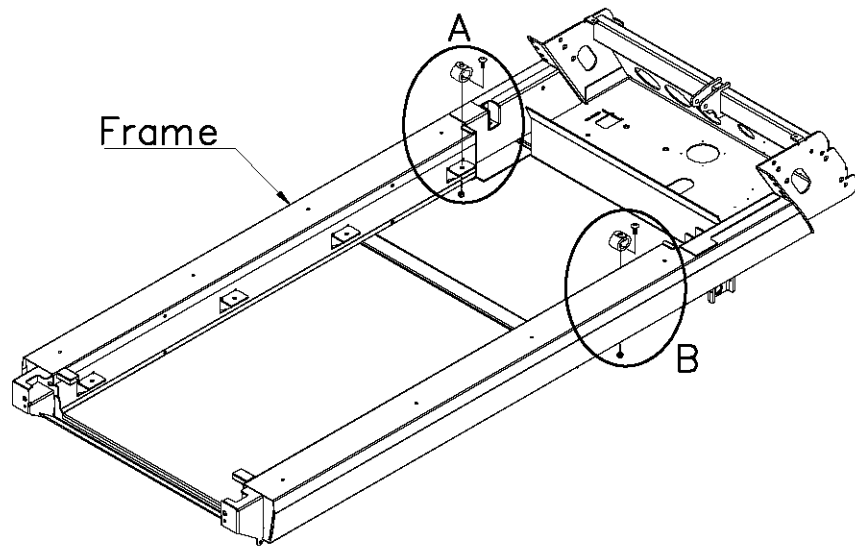


DRAWING NO	TM501-AQ10		
PART NAME	Motor Covver Net;With Lebal		
PART NO	0000088973 B		
APPROVE	SHUYI	DATE	122413

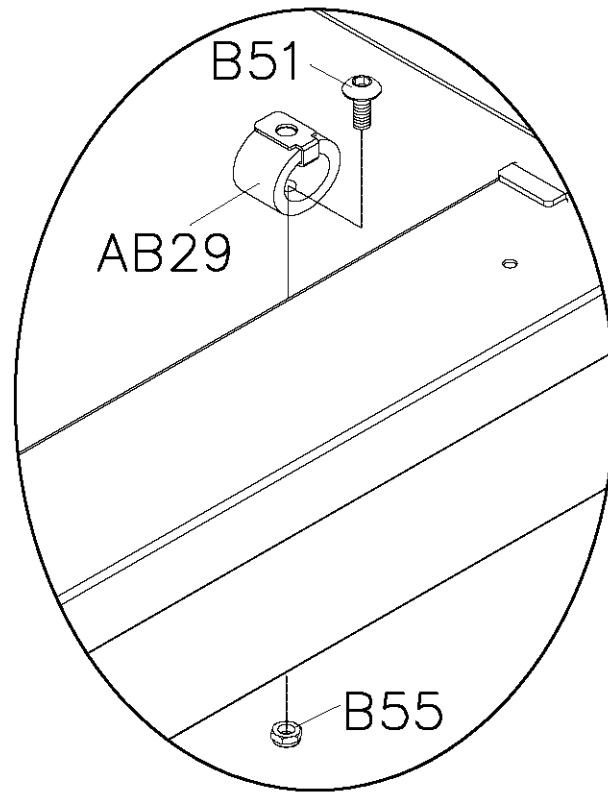


DRAWING NO	TM501-AB21		
PART NAME	Elastomer Set;Running Deck;Front		
PART NO	As Attachment C		
APPROVE	S.T.C	DATE	060512

Part No.	Description
0000089487	Nai Ri
1000233263	Miner



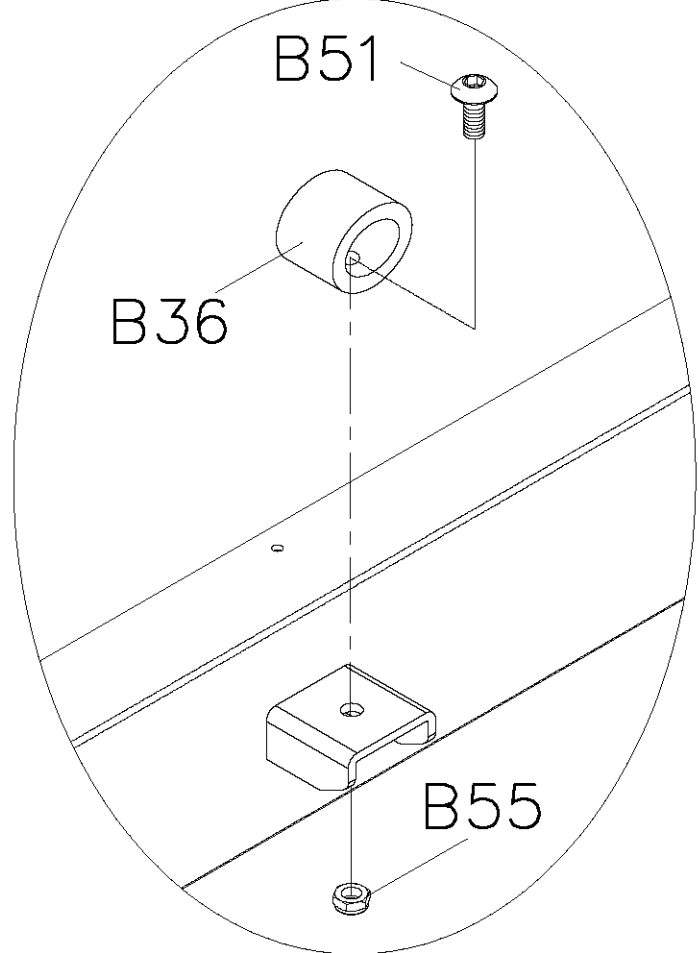
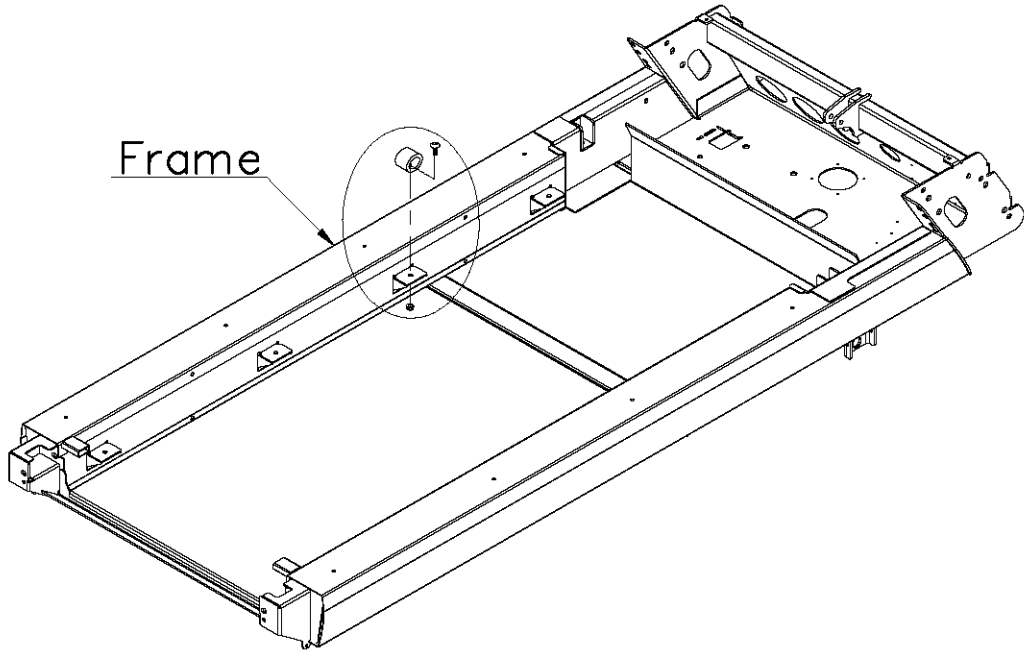
A 詳圖(1:5)



B 詳圖(1:5)

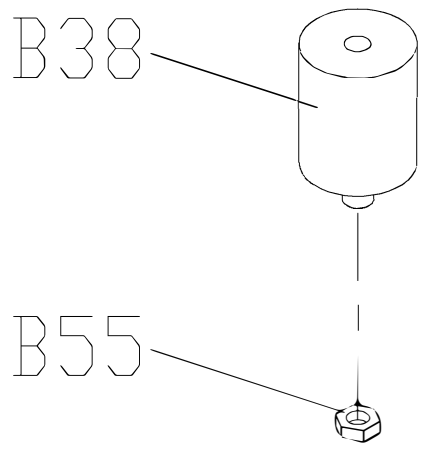
DRAWING NO	TM501-AB22		
PART NAME	Elastomer Set;Running Deck;Middle		
PART NO	As Attachment B		
APPROVE	S.T.C	DATE	060512

Part No.	Description
0000089488	Nai Ri
1000233264	Miner



A(1:5)

DRAWING NO	TM501-AB23		
PART NAME	Elastomer Set;Running Deck;Back		
PART NO			
APPROVE	SHUYI	DATE	122413



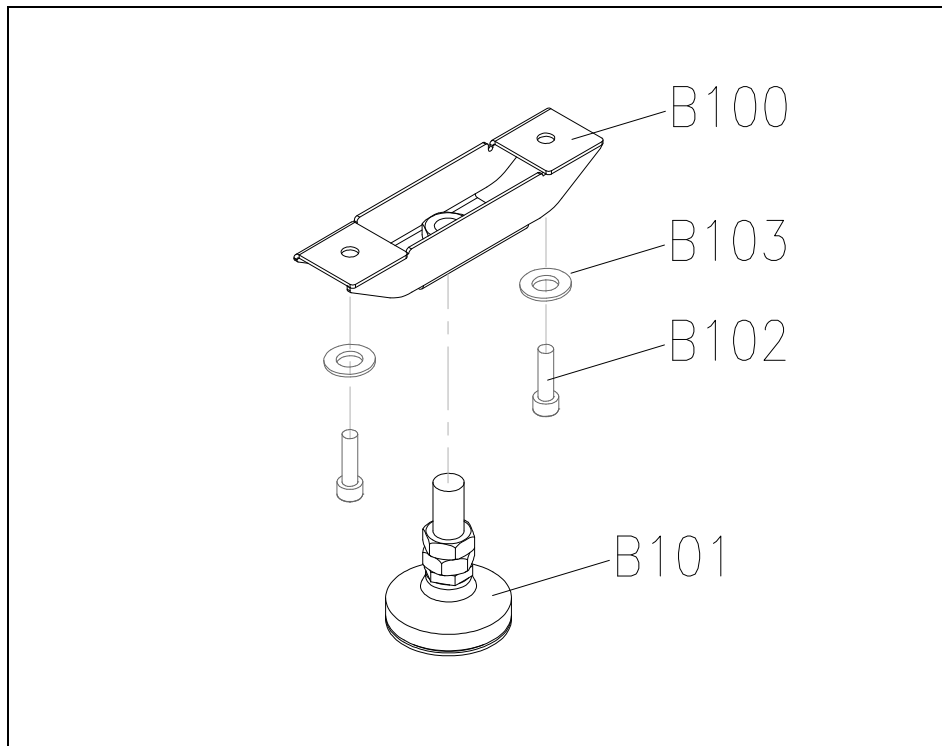




# T5x-02-F

0000088993

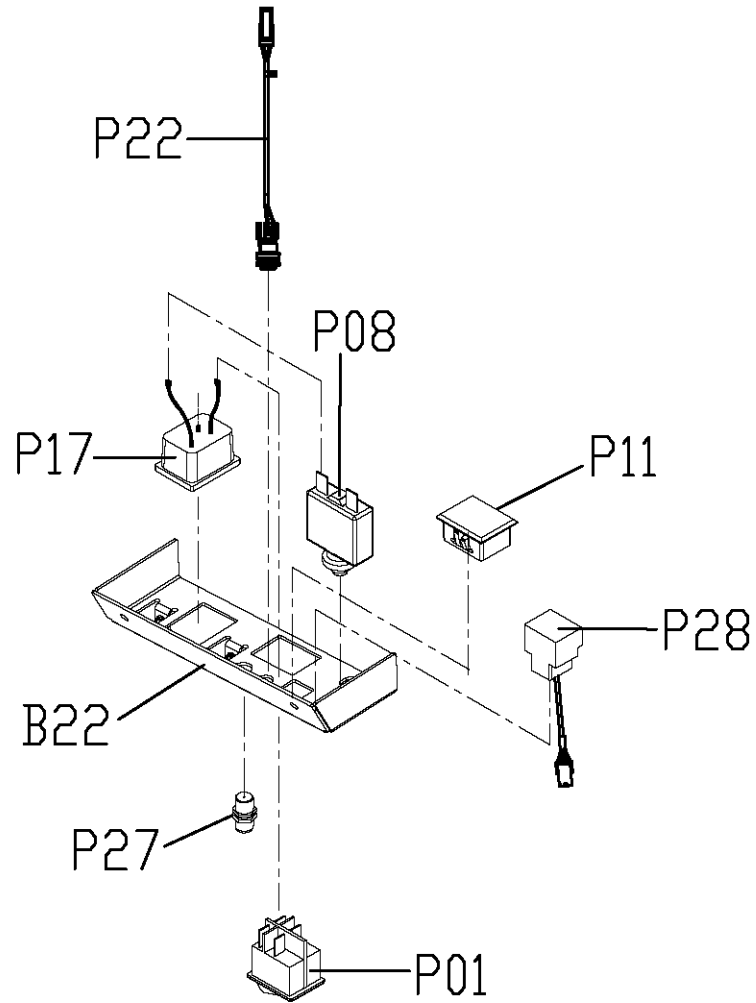
## BACK ADJUSTABLE FOOT SET



Item No.	SAP Part NO	Description	QTY
B100	0000086897	FIX PLATE;FOOT PAD;BACK;	1
B101	0000088994	FOOT PAD; BACK;	1
B102	0000085362	SCREW;SH;	2
B103	005145-A	WASHER;FLAT;	2

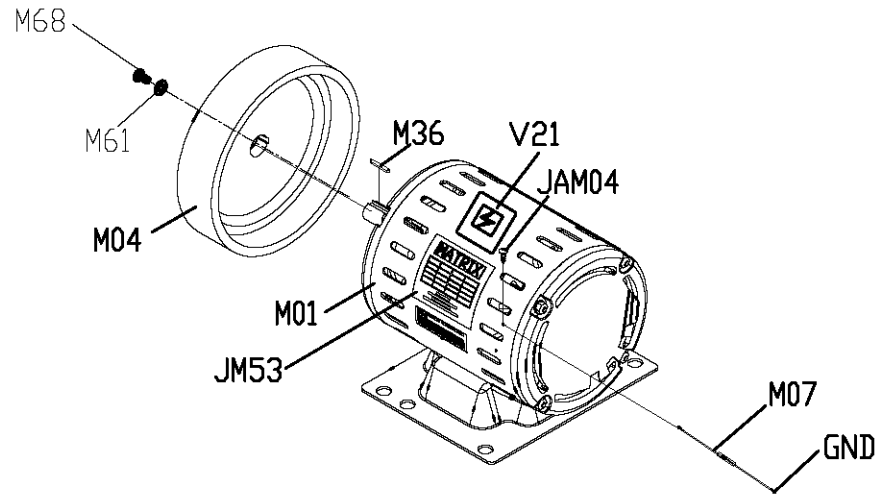
DRAWING NO	TM501E-AP12	
PART NAME	Power Switch Set	
PART NO	As Attachment	
APPROVE	SUNNY	DATE 100913

Part NO	Description
1000230705	Power Switch Set;1US;T5x-04
1000302213	Power Switch Set;2KM;T-5X/7X-04-F4

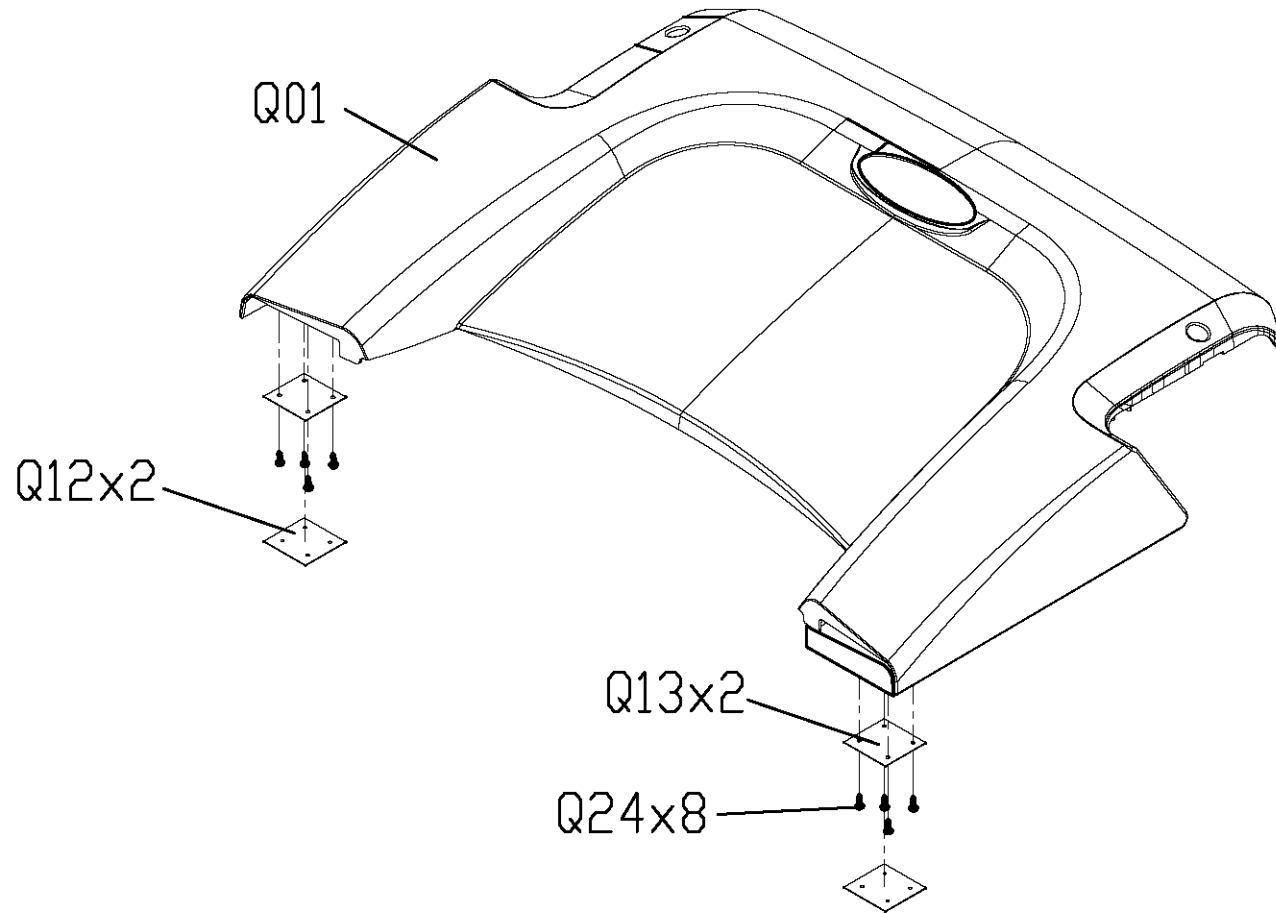


DRAWING NO	TM501C-AM1		
PART NAME	Motor Set		
PART NO	1000204065		
APPROVE	SUNNY	DATE	113011

Notes :  
Deviation :under 0.4mm



DRAWING NO	TM501-AQ11		
PART NAME	Motor Cover Set		
PART NO	0000088989B		
APPROVE	SHUYI	DATE	100411



Bubble#	OEM Number	Description	Notes
1	1000352464	Safety Key Set Red Switch Clip T5X-02-	
1	1000233602	Safety Key Set - - T5X-02	Discontinued
10	0000089687	Quick Key Set TM502 T7x-01	Also send updated G33 and G34 - See service bulletin "Quick Key Design Change".
19	1000356706	Overlay Set Touch panel TM528	Also order AN8 overlay and N39 pad
4	1000356217	Handlebar Set English TM527	
5A	1000356574	TV Stick Set H8370 EP614C	See W141
5B	0000091816	Heart Rate Grip Cover Set	
6	1000385846	Overlay Set Start Quick English TM527	
6	1000356218	Overlay Set Start Quick English TM527	Discontinued
		Control Board 15.6 inch GU1.0.0.0/OS1.0 - <mark>REFURB PART AVAILABLE: <a href="https://support.johnsonfit.com/product/hybrid/78632/4293/1332688" class="action-link" target="new">*Click here to open Refurb Parts List*</a></mark>	
7	1000356608	Control Board Set 18.5 inch TM528	Also send instructions ZMS4009059.
7	1000356705	Control Board Set 18.5 inch TM528	Discontinued
9	1000356704	Console Set ES/GU1.0.0.0/OS1.0/uB1.0/l	
AG10	Order Kit 6	Extrawork Cover Control M Print TM501	
AG11	Order Kit 4	Handlebar Set TM527 T-7xe-05-C	
AG2	Order Kit 5	Handlebar Set-Exreawork muffle MT-1134	
			Contains updated 9-pin earphone board. If installing kit on unit with original 8-pin board, you must also replace the headphone jack wire, 1000354653, and the connect board, 1000354885. See service bulletin "Earphone Board Update".    Has a black overlay instead of the original white.
AG3	1000385828	Overlay Set Start Quick English TM520	
AG3	1000228681	Overlay Set Start Quick - PET/A180L TM52	Discontinued
AG6	Order Kit 10	Quick Key R ABS/PA746 MT-11020 137C T7x-	
AG7	Order Kit 10	Quick Key L ABS/PA746 MT-11020 137C T7x-	
AG8	Order Kit 10	Extrawork Cover Quick Key R Print T7x-01	
AG9	Order Kit 10	Extrawork Cover Quick Key L Print T7x-01	

AN1	0000085927	Console Base Frame Set BL TM501
AN10	0000086724	Cover Console Display TV Rack Printing T
AN11	1000352475	Switch Clip Set Safety Red
AN15	Order Kit 19	cover-Extrawork Overlay Print TM528
AN16	1000226522	Extrawork USB Cover Printing TM521
AN2	1000226526	Painting Overlay Reinforce Set Black TM5
AN23	0000087056	Vent Fan ABS/PA-746 Pantone:877C TM501

AN8	1000384986	Overlay TV English/French EP621
AN8	1000361461	Overlay Set TV English EP621 Keypad
AN8	1000356585	Overlay TV French PET/A180L EP621
AN9	Order Kit 1	Safety Key Cover-Extrawork upper coverr
AW10	1000356691	TFT-LCD Module Set 18.5 inch TM528
G15	Order Kit 5	Cover Sensor up ABS/PA746 426C Texture
G16	Order Kit 5	Cover Sensor left ABS/PA746 426C TM502
G17	Order Kit 5	Cover Sensor right ABS/PA746 426C TM502
G21	1000348689	Earphone board U138A3/H001 EP621
G22	1000354653	Connect Phone Board 1000(TKP,H20J2
G22	Order Kit 10	Ring SST f4.5xf3.2x3.05 TM502
G31	Order Kit 10	Quick Key Speed PT591-03 ELI-RD TM503
G32	Order Kit 10	Quick Key Elevation PT591-03 ELI-LD TM50

G33	1000427351	Quick Key Set ???????? TM527/TM528
G33	1000427348	Speed Key Wire 850(JST,XAP-04V-1+T
G34	1000427351	Quick Key Set ???????? TM527/TM528
G34	1000427349	Elevator Fast Key wire 850(TKP,H66
G35	Order Kit 4	Connect Phone Board 1000(TKP,H20J2
G36	Order Kit 4	Pulse CON Right 750L (TKP,H6630P1-1x
G37	Order Kit 4	Pulse CON Left 750L (TKP,H6630P1-1x0
G50	0000086277	Screw TH M8X1.25PX20L HS MT BAN BP

French and English. Overlay ONLY. Also order 1000361461 (membrane/overlay kit) - only the membrane will be used. Keypad in English

Updated, 9-pin cable. Must use with 9-pin board.

For units produced before August 2018 - See service bulletin "Quick Key Design Change".  
 For units produced August 2018 and after - See service bulletin "Quick Key Design Change".  
 For units produced before August 2018 - See service bulletin "Quick Key Design Change".  
 For units produced August 2018 and after - See service bulletin "Quick Key Design Change".

G51	0000087858	Screw Round M3X0.5PX12L PH SSTSUS304 BAN
G52	0000095642	Screw BH M5X0.8PX16L PH BED BP
G53	0000092900	Screw BH M3x0.5Px6L MT PH CST BZN BP
G54	1000210588	Screw BH M3X0.5PX6L MT PH SSTSUS304 BZN
N01	1000226519	Console Cover back ABS PA746 SL/GY TM521
N02	1000226489	Console Uipper Cover Fan - BL/Black C TM
N03	0000084596	Cover Console Bottom ABS/PA-746 MX
N04	0000084597	Cover Upper Console Plastic Left ABS/PA746 MX-S
N05	0000084598	Cover Upper Console Plastic Right ABS/PA-746 MX-S
N06	0000084599	Arm Rest Left PU MT-11345 426C T5x-02
N07	0000084600	Arm Rest Right PU MT-11345 426C T5x-02
N08	0000084680	Cup Holder Left TPR+30%PP 80435 TM501
N09	0000084681	Cup Holder Right TPR+30%PP 80435 TM501
N100	0000089112	Spacer Support MEA-05 PINGOOD
N101	0000089113	Fix Plate SPHC 1.6t BED T5x-02
N102	1000228814	HEART RATE RECEIVER BOARD SALUTRON 8600
N103	0000089111	Tape Dual Sided 20x30x3t TM501
N11	0000084682	Cover Console Mast Left ABS/PA-746 80435 TM
N12	0000084683	Cover Console Mast Right ABS/PA-746 80435 TM
N14	Order Kit 19	Overlay Touch panel T185C-XDNG13G-9S02
N152	1000220071	SPEC LABEL TUV TM501D
N18	0000085276	Cover IPOD JACK ABS/PA746 80435
N19	1000216152	Fan ADJ Plate SUS304 0.3t T9000
N20	0000084935	Bracket Console Mast Mtg Left SPHC 4.0T BED
N21	0000084936	Bracket Console Mast Mtg Right SPHC 4.0t BED
N25	1000226524	Torsional Spring - USB SUS304 TM521
N26	1000226525	Fixing Plate USB SECC 1.0t T-7xi-C
N30	Order Kit 1	Fixing Plate Emergency SPHC 143.2x61.4x Cap C-Safe Black CB32\\ D/C, NO REPL: Part will show as
N32	000932-E	orderable until stock is depleted.
N33	0000086064	Cover Console Right ABS/PA-746 BL TM501
N34	0000086065	Cover Console Left ABS/PA-746 BL TM501
N37	1000226520	Fixing Plate Console L SPHC 1.5t WZN TM5

N38	1000231077	Fixing Plate Console Rt SPHC 1.5t WZN TM	
N39	1000226521	Anti-Slippery Pad TPR+ABS BL/Black C MT-	
N40	1000228682	Control Board C-SAFE H001 NA TM519	
N44	Order Kit 1	Cover Safety Key down ABS/PA746 187C TM	
N46	1000233828	Console GND 150 99471BS-2+KST,FDNYD2-25	
N49	0000092889	Screw Button Head M4x0.7Px6L Sheet Met	
N50	1000228688	SCREW BH M5X0.8PX12L PH BAN	
N60	Order Kit 19	Double Tape 3M 9888T TM528	
N61	1000359357	Wire Tie Releasible HV-200S KSS 200mmx4.	
N62	1000359388	Foam singleside BLACK ML24+3M9888T/55x10	
N63	1000356712	Fixing Plate 18.5 inch SPCC 1.5t TM528	
N64	1000380290	VF 24AWG 250+450(JST,XAP-07V-1+JS	
N85	1000231167	SHIM Z TYPE SUS430 3.0t T-5x-06-C	
N86	1000301585	Cable clamp - PL-1 pingood - -	
N89	1000231181	CABLE TIE RELEASIBLE HV-125SBK - - BLACK	
N90	004983-A	Insert Nut Hex NKHS-8125-2.5(M8x1.25P)	
N91	0000088493	Insert Nut RVN NLS7-580-3.3(M5X0.8P) ZINC	
N92	1000354885	Connect Board Console U138A2 H001	
N95a	1000354657	Head Phone Board Connect wire 300+	
N95b	020005-00	Screw Phillip Round M3x6L Zn-BL	
N97	0000085776	Wire Hand Pulse 250(2510A-03+XAP-03) TM5	
N98	1000386471	Grip Sensor 100L (TKP,H2510A-06N+TK	
Not Shown	0000084583	Hardware Pack	
Not Shown	1000375135	RFID SET T-7XI-03-C TM528	
Not Shown	1000385837	Overlay Set Start Quick French TM520	Entertainment
P09	0000086676	Signal Wire TV U 2100(FM-0086-NBG7)	
P29	1000201167	Console Cable Communication Wire 2000(MOLEX,50-70-9408x	
P30	1000213552	NET CONNECT WIRE 1800(TKP,H6630P1-08+TKP	
P34	003393-A	Ferrite Core FH1500B TM87 K1 RH12.5x12.5x8	
Reference Number	Part #	Description	Notes
T02	0000084630	Safety Switch R13-69 TM501	
T03	0000084631	Wire E-Stop Switch 550(250X2+6630R1) TM5	
T56	004614-00	Screw BH 3X10L SM PH BAN POT	



T58	0000093244	Screw Phillip BH Tapped 4x8L Zn-BL	
V15	1000356681	Decal Console Black Word/White Base PVC	
V16	1000302407	Documentation - Console - assembly label	
W02	1000363984	Control Board Set LCM H002 V10 TM528	
W04	1000226494	Control Board USB Extra-work H001 TM52	
W09	061339-B	Fan DC12V/0.3A PMB1297PYB3-AY EP70	
W13	0000086684	Speaker Set AK-402808BC-3T+280+XAP-02 TM	
W141	1000393224	TV Stick Set US / KITS - SBOM EP620	Avermedia tuner only; order fixing plate W142 separately.
W142	1000356656	Fixing Plate TV Tuner Zinc Plate TM52	
W143	1000204284	TAPE FOAM SINGLESIDE 15x30x4T	
W144	005811-00	Cable Tie Nylon Black 160L	
W144	005815-00	Cable Tie Nylon 160 BL KSS CV-160L	Discontinued
W20	1000356638	Control Board General S001420A+WLT2564M	
W21	1000354654	TUNER CONTROL WIRE 300(UAB A TYPE-	
W23	1000229330	WIRE CONNECT USB 400(JST XAP-06V-1X2) T-	iPod Cable
W25	1000363852	LCM Wire 390(JST,PADP-16V-1-S+TKP,	
W30	1000372892	Foam Fabric Over 18x13x11 EP621	
W31	1000356608	Control Board 15.6 inch GU1.0.0.0/OS1.0 - <mark>REFURB PART AVAILABLE: <a href="https://support.johnsonfit.com/product/hybrid/78632/4293/1332688" class="action-link" target="new">*Click here to open Refurb Parts List* </a></mark>	Also send instructions ZMS4009059.  UCB ONLY. Remind tech to swap Wi-Fi board and VA chip from old board to new.
W32	1000356617	WiFi XIOB-BF535WF VerF USI	
W33	1000356690	Memory Card Micro SDHC 32GB ADATA	This memory card has Virtual Active (VA) files.
W36	1000372895	Foam Tap singleside 20x8x2/5061100106X0	
W37	1000372896	Tie Mount Self AdhesiveTie CC-31 5060700	
W38	1000372897	Ferrite Choke Snap-Together K5B RC 10x20	
W39	1000356628	LVDS Wire 200(WL1058H-30Px2) EP621	
W40	1000356636	Inverter Wire 250(WL1256H-5Px2) EP	
W51	001677-A	Cable Fix Button KSS/UC-3	
W53	1000372893	Foam Fabric Over 35x15x22 EP621	
W54	1000372892	Foam Fabric Over 18x13x11 EP621	

W56	0000095641	SCREW RND #X4.0X1.34PX8L(HI-LO) PH BZN	
W57	005157-A	Washer Flat 4.3x12.0x1.0T Black Zinc	
W58	1000229331	ground wire MU 100+200+250(KST STRV2-5+G	Discontinued
W59	0000088743	Screw TRH M3x.5Px6L MT PH CST ZNC F-T	
W60	020183-00	SCREW BH ?X4X38L TC PH POT	
W61	1000231078	SCREW BH ?X5X1.6PX12L(HI-LO) PH BZN	
W62	1000301589	Terminal - 187 PC1V187	
W63a	0000088743	Screw TRH M3x.5Px6L MT PH CST ZNC F-T	
W63b	1000229333	ground wire console bracket 100(KST STRV	
W64	005024-A	Washer Flat 5.2X16.0X1.0T BZN	
W72	1000372894	Foam Fabric Over 30x20x15 EP621	
W73	1000358295	Tie Mount Saddle Type Tie KSS HC-1S	
W74	1000369006	Network Signal 2000(TKP,H6630P1-08	
W75	1000229329	connect wire quick key 250(TKP H6630P1-1	
W77	019208-A	Cable Clamps	
W78	004350-AB	SCREW BH M3X0.5PX6L PH BP	
W79	008864-A	Screw Special Round 2.9x1.06Px7L(Hi-Lo)	
W80	1000367591	UCB GND 150(GEM,99471BS-2+GEM,9943	
W81	004361-00	Screw Phillip BH M4x0.7Px10L Ni Gap	
W82	1000354652	Connect C-Safe+Cardio 150+150(TKP,	
W83	0000086701	Screw RND M3X0.5PX4L PH BZN	
W89	1000229359	Ground wire LCM 350(KST STRV2-5x2) T-7xi	
W94	1000361081	WIFI Aerial Left 140(IPEX+ALT140-22	
W96	1000359824	MI ground wire 150(KST,STRV2-5+GEM	
W97	1000356632	Touch Switch 150(JST XAP-06V-1+JYC	
W98	1000359823	WIFI Aerial Right 350(IPEX+ALT140-2	
Z11	004541-AC	Screw Hex Socket Round M8x1.25Px45L Chromed	
Z12	035882-AB	Screw SH M8x1.25Px75L MT HS G12.9 CHM P-	
Z13	020072-00	Screw SH M8X1.25PX60L HS BAN	
Z14	0000086571	Washer FLT 8.2X16.0X2.0T SPHC CHM	
Z15	004859-AC	Screw BH M8X1.25PX20L HS CHM	
Z16	062769-00	Screw Hex Socket Round M8x1.25Px15L BED	
Z17	004539-AD	Screw Round Hex Socket M8X1.25PX25L Chromed	
Z18	004385-00	Screw BH M5X0.8PX12L PH BAN	

Z19	0000088905	Bushing Threaded Flange M8x10x16x8Lx2T
Z20	0000089835	Washer Ribbed lock 8.5x12.8x0.8tx1.3h
01	0000088969	Tension Wheel Set TM501 T5x-02
04	0000088973	Motor Cover Set Upper
11	0000084529	Semi-Assy TM501 Console Mast Set L
11	1000338077	Console Mast Set L painting Black Matt
11	1000337919	Console Mast Set L painting MATRIX Pur
11	1000354593	Console Mast Set L painting USA Red TM
12	0000084539	Semi-Assy TM501 Console Mast Set R 1US
12	1000338080	Console Mast Set R painting Black Matt
12	1000337930	Console Mast Set R painting MATRIX Pur
12	1000354594	Console Mast Set R painting USA Red TM
13	0000089487	Elastomer Set Running Deck Front T5x-02
14	0000089488	Elastomer Set Running Deck Middle T5x-02
15	0000091092	Elastomer Set Running Deck Back T1x-F
16	0000088993	Rear Adjustable Leveler Foot Set Right TM501
2	1000448260	Motor Set For Matrix TM538 1US
2	1000350718	Motor set Semi-Assy T3x-F
2	1000448260	Motor Set For Matrix TM538 1US
21	1000230705	Power Switch Set 1US For PCTV T-5x-04-F
AH2	0000093397	Painting Elevator Rack Set BL TM501

This is the standard console mast; part also available in black matte, purple (for Planet Fitness), and red (for Workout Anytime).

For frame in black matte

For Planet Fitness frame

For Workout Anytime frame

This is the standard console mast; part also available in black matte, purple (for Planet Fitness), and red (for Workout Anytime).

For frame in black matte

For Planet Fitness frame

For Workout Anytime frame

If this part is not in stock, send components 1000412624 and 0000095437 instead.

Original. If this part (1000204065) is out of stock, send motor 1000350718 instead. See service bulletin "Substitute Motor".

Substitute. Order this part if 1000204065 is out of stock. See service bulletin "Substitute Motor". Please request failed motor returned to JHT-NA for inspection, Attn: Jake Sleppy. Also send Quality Return label, ZMS4009192. Substitute motor #2. Order this part if 1000204065 and 1000350718 are both out of stock.

For standard frame. Also available in black matte.

AQ2	0000086075	Motor Cover Front
AR1	0000091544	Roller Set Front 3.5inch JR01
AR2	014680-E	Rear Roller Set 3.5 Inch
B100	0000086897	Fix Plate Foot Pad B SPHC 2.0t TM501
B101	1000366837	Foot Pad back NBR BL/Black C TM529
B101	1000476342	Foot Pad back BL/Black C NR+SBR TM529
B102	0000085362	Screw SH M8X1.25PX20L HS BAN
B103	005005-AC	Washer Split 8.2X15.4X2.0T BZN
B22	1000228968	Plastic Plate SPHC 1.6t BED PCTV T-5x-04
B23	0000084526	Bracket Side Rail SPHC 2.0t TM501
B24	0000084527	Cover Elevation Rack Pivot Joint SPHC 1.
B25	0000088975	Rear Shim Foot Plate Set TM501 SBOM
B34	1000214787	Bracket Power Cord Retaining SMALL SPCC 1.6t B
B35	1000443110	
B36	0000089488	Elastomer Set Running Deck Middle T5x-02
B38	1000412624	Cushion Deck NBR Black 30x37 TM501
B49	004979-00	Insert Nut Hex NHS-8125-3.0(M8x1.25P)
B51	0000084584	Screw BH M8X1.25PX20L HS BAN
B52	0000089799	Washer 6.2x40.0x4.0t
B53	0000089800	Washer DSP 6.4X14.0X1.2T SPHC
B54	0000085924	Screw SH M6X1.0PX140L HS BZN
B55	0000095437	Nut Nlk M8X1.25Px6t BZN
B56	004355-00	Screw Oval PH M4X0.7PX10L
B57	0000086599	Screw BH M6X1.0PX12L CT PH BAN
B58	0000085362	Screw SH M8X1.25PX20L HS BAN
B59	004562-AB	Screw Hex Socket Sink Stainess M8x1.25Px35L
B60	004385-00	Screw BH M5X0.8PX12L PH BAN
C03	0000084534	Mounting Plate Console Mast Front A SPHC
C04	0000084537	Mounting Plate Console Mast Rear B SPHC
C50	004321-00	Screw Round PH M4 x 0.7P x 10L
G53	0000092900	Screw BH M3x0.5Px6L MT PH CST BZN BP
H50	0000094653	Screw Extrawork SH M16 Polish
H54	000035-D	Transport Wheel Nylon 100 BL TM65

Send if issues with TM sliding forward.

Screws NOT included: Also order B60 (x2).  
Return for quality inspection only if deck is cracked/broken.

H55	005042-00	Washer Flat 8.2X30.0X2.0T Black Zinc	
H56	004757-00	Screw Oval Hex Socket M8x1.25Px12L	
H57	005220-00	Washer Wavy 20.7x29.1x.3T	
H59	020378-00	Nut Hex M16x2.0Px7.8t	
H60	009469-C	Bushing Pedal Arm A CS05	
H61	0000093781	Washer SPL 17.3x26.3x3.0t BZN	
JAM04	0000095703	Screw RND M3.5X6L TC PH WZN ROHS	
JM13	0000086720	Elevation Motor 1300LB/115V 127mm TM501	
JM96	1000206713	Tape Single Sided 75x25x1.5t T5x-03	
M03	1000435058	Motor Control Board Set APMT-1500A1 C - <mark>REFURB PART AVAILABLE: <a href="https://support.johnsonfit.com/product/hybrid/78632/4293/1332688" class="action-link" target="new">*Click here to open Refurb Parts List* </a></mark>	See service bulletin "MCB Change".
M03	1000435058	Motor Control Board Set APMT-1500A1 C - <mark>REFURB PART AVAILABLE: <a href="https://support.johnsonfit.com/product/hybrid/78632/4293/1332688" class="action-link" target="new">*Click here to open Refurb Parts List* </a></mark>	Okay to order if there is stock. This MCB was used in production before 9/2018. It is used with the original cover, 1000201218.
M06	004589-00	Screw Hex W3/8x47L/Tooth14L	
M09	001295-B	Insulating Sleeve Screw ABS 10.2X14/24X7L	
M11	0000094431	Fan Cooling FD128025LB DC 12V/0.1A T7000	This is not the fan that's mounted on the MCB.
M14	0000095368	Screw SH M10X1.5PX25L HS BZN	
M17	020478-00	Washer Flat 10.2x20.0x2.0T Black Zinc	Updated part; fits new MCB. See service bulletin "MCB Change".
M20	1000433219	Cover MCB ABS/PA765 Matrix SL	
M21	0000086524	Guard Fan PG-80 BLACK	
M22	0000093962	Pin Elevation Clevis SCM440x15x65L Runner Gold	
M23	008652-A	Pin Hairpin Cotter 2x33L ZNC	
M35	1000227226	Washer Flat ?X10.5x?X25.0x1.0T Nylon+S2M	
M38	000885-C	Rubber Pad Motor Anti-Shake	
M50	1000211092	FILTER 20A 125/250V ROHS -	

M50	1000396097	Filter 20A 125/250V BF1103-20A-04(3)	Discontinued
M51	004361-00	Screw Phillip BH M4x0.7Px10L Ni Gap	
M53	1000212621	Screw BH M4X0.7PX40L - PH - BZN	
M54	004384-00	Screw Phillip BH M5x0.8Px30L Ni Gap	
M54	004384-00	Screw Phillip BH M5x0.8Px30L Ni Gap	For frame in black matte
M55	004889-00	Nut Hex M5x0.8P Nickel	
M56	0000082734	Washer Senated M5.3X10X0.6 Zinc Plate	
M57	001682-00	Clip Tie Strap Hold Down HC-0L P	
M58	004934-00	Nut Nylon 3/8'-16UNC	
M60	1000203251	Plastic Base WH CHF-11E	
M69	005010-00	Washer Spring 10.75x17.2x2.16t	
Not Listed	0000093024	Velcro Set Motor Cover T1x-F	Contains Q12 x1, Q13 x1, and Q24 x4 (order 2 kits to replace Velcro on both sides).
Not Shown	ZMS4004993	Matrix treadmill end cap touchup paint	
Not Shown	0000089165	Clip Nut Attached Plate Elastomer SPCC 1.6t Zn Pl	Clip for Elastomer
P01	1000317845	Power Switch ON-OFF W/ Light 125V/250V 2	
P02	002127-A	BS Wire 60L 12AWG Black TM86	
P05	0000086674	Power Wire EMI Filter to Switch 200(RVS	
P08	1000209313	Circuit Breaker 20A 125V/250V RFLB-2	
P11	0000089860	Cap C-SAFE NYION 6/6 BL T1x	
P15	002391-A	Ground Wire EMI Filter W/FERRITE 160L	
P16	1000201219	Wire Control Board 600+600+300(KST,RVS3	
P17	0000088746	Power Socket 80+130(SS-3B+FDNYD5-250-1)	
P18	0000088747	Ground Wire Power Socket 200+50(KST FDFN	
P22	1000228045	WIRE TV POWER 180(SCD-554DCS103BB1G+TKP	
P27	065248-A	TV Coax Adaptor Female F-A028-NBX7-C	
P28	1000444155	Cat6 Network Signal Wire 180(KINSUN,320	
P33	1000229192	POWER CORD SET 10-ft NEMA (90 Unit, 90 Outlet)	(90 Unit, 90 Outlet)
P33	0000094429	Power Cord Set 15-ft NEMA (90 unit, 180 outlet)	
P33	0000094428	Power Cord Set 10' NEMA (90 unit, 180 outlet)	
P50	056225-A	Ferrite PART OF #79 CABLE NOT ORDERABLE	
Q03	0000086077	End Cap Rear Roller Left T75B1-SV040 T5x	
Q04	0000086078	End Cap Rear Roller Right T75B1-SV040 T5	
Q05	0000084691	Side Rail PVC 425C T5x-02	

Q06	0000084538	End-Cover Console Mast Left ABS/PA746/80	
Q07	0000084587	End-Cover Console Mast Right ABS/PA746 8	
Q11	000511-B	Foot pad Frame R Nylon+G15% TM65	
Q21	020096-00	Screw Hex Socket Round M8x1.25Px15L Chromed	
Q23	004481-00	Screw Hex Socket Round M8x1.25Px45L	
Q25	0000082736	Washer Flat 8.2X16.0X2.0T BZN	
Q26	004456-00	Screw Round Hex Socket M5x0.8Px16L	
Q27	1000231496	WASHER FLT Diam.5.0XDiam.12.0X1.0T BAN	
R04	1000340398	Belt POLY-V 310-J12 Halftone GATES	
R05	1000471188	Treadmill Belt-Extrawork Beeswax GT TM	
R07	004495-00	Screw Round Hex Socket M10X1.5PX100L	
R08	004529-00	Screw Hex Socket Round M10x1.5Px40L	
R09	005006-00	Washer Spring SW10 10.2x18.4x2.5t	
R10	005062-00	Washer Flat 10.2x19x2.0T Chromed	
U04	0000084591	Idler SS41 53.5x40L T5x-02	
U05	0000091047	Bearing Dry WFM-2528-11 IGS	
U49	0000086229	Spring Extension 3.0x25.0x127.1Lx30N	
U50	0000088505	Bearing Ball 6203LUZ 17X40X12T TPI	
U51	086331	Washer Wavy 17.2X22.5X0.3T	
U52	005025-00	Washer Flat 25.5x38.0x1.5t Black Zinc	
U53	005219-00	Washer Wavy 26.0x35.0x0.3T	
U54	005366-00	C-Clip External S-25	
U55	005363-00	C-Clip External S-17	
V05	0000086226	Nameplate Motor Cover LOGO T5X-02	
V11	006078-00	Decal Grounding TM08	
V16	1000216443	warning LABEL BRACKET POWER CORD	
X07	0000089111	Tape Dual Sided 20x30x3t TM501	
Z10	020090-00	Screw Hex Socket Round M10x1.25Px20L Chromed	
Z14	0000086571	Washer FLT 8.2X16.0X2.0T SPHC CHM	
Z18	004447-AC	SCREW SH M5X0.8PX12L CT HS BAN	
05	Part of Kit 4	MOTOR COVER SET NO INCLUDE DECAL T5x-02	
AB10	Not a service part	Painting Frame Set BP-920S T5x-03	Not a service part
AB29	Part of Kit 13	Elastomer Set Semi-Assy Nai-Li T5x-02	
AH2	1000343082		For frame in black matte

AU2	Part of Kit 1	Painting Idler Set BL TM501
JM53	Part of Kit 2	Marking Motor OPP Front MATRIX
M01	Part of Kit 2	Driver Motor AC Matrix Silver 3.0HP 230
M04	Part of Kit 2	Flywheel Motor FC20 190 TM65C
M07	Part of Kit 2	Ground Wire Motor 240L (KST RVS3-5)x2 TM
M36	Part of Kit 2	Key Round Dual-End 6x6x35L
M61	Part of Kit 2	WASHER FLT 8.2X25.0X1.5T BZN
M68	Part of Kit 2	SCREW TH M8X1.25PX12L HS BZN BP
V21	Part of Kit 2	Warning Sticker Motor Yellow/Red/Black/W
11	0000084530	Painting Console Mast L BP-920S T5x-02
12	0000084540	Painting Console Mast R BP-920S T5x-02
15	0000089489	Elastomer Set Running Deck Back T5x-02
2	0000088970	Motor Set TM501 SBOM
2	1000204065	Motor Set TM501C
B101	0000088994	Foot pad 5/8 Inch-11UNC BED TM501
B25	0000084528	ADJ plate Foot Pad SPHC 2.0t BED TM501
B35	1000417248	Finished treadmill deck Timber 616x1340x
B35	004301-B	Running Deck 616x1340x25.4t
B35	ZMS4006399	3 LAYER D&P DECK WITH JHT WAX
B36	1000208940	Extrawork Elastomer Running Deck Nai Ri
B56	004355-AC	Screw BH M4X0.7PX10L PH BAN
B60	004385-AE	Screw Phillip BH M5x0.8Px12L BED Gap

Discontinued - Discontinued

Discontinued - Discontinued

Discontinued - Discontinued

Discontinued - Substitute motor #2. Order this part if 1000204065 and 1000350718 are both out of stock.

Discontinued - Original. If this part (1000204065) is out of stock, send motor 1000350718 instead. See service bulletin "Substitute Motor". <br><br>If frame serial indicates manufacture on or after March 2020 (FTM5012003 or later), please request failed motor returned to JHT-NA for inspection, Attn: Jake Sleppy. Also send Quality Return label, ZMS4009192.

Discontinued

Discontinued - Discontinued

Discontinued - Return for quality inspection only if deck is cracked/broken.

Discontinued - Return for quality inspection only if deck is cracked/broken.

Discontinued - Return for quality inspection only if deck is cracked/broken.

Discontinued

Discontinued - Discontinued

Discontinued - Discontinued



M03	0000094477	Motor Control Board 1.5KW/90~264V Delta	Discontinued - Okay to order if there is stock. This MCB was used in production before 9/2018. It is used with the original cover, 1000201218.
M03	0000094477	Motor Control Board 1.5KW/90~264V Delta	Discontinued
M03	1000409726	Controller Motor Delta V3 V01.02 TM532	Discontinued - Used in production 9/2018-11/22/2018. (To use this board on a unit outside that range, also send cover 1000409676). See service bulletin "MCB Change".
M17	020477-00	Washer Flat 10.2X20.0X2.0T Black Zinc	Discontinued - Discontinued
M20	1000201218	MCB Cover ABS/PA765/MX-silver gray	Discontinued
M20	1000409676	Cover MCB ABS/PA765 Matrix SL	Discontinued - Updated part; fits new MCB. See service bulletin "MCB Change".
M50	003530-A	EMI Wave Filter 115V/250V/20A	Discontinued - Discontinued
Not Shown	1000346763	Decal Console Mast Gray TM501-US DOCUMENTATION MANUAL ASSEMBLY ENGLISH - D/C,	Discontinued
Not Shown	1000208260	NO REPL See OM on product page.	Discontinued - Discontinued
P13	001597-A	GROMMET NYLON WHT	Discontinued - Discontinued
P28	1000212816	Cat5 EXT Wire Net Signal 180(3205615600 8P+T	Discontinued
P33	066055-A	Power Cord 15' NEMA (USA 110V) 4500,12AWG(T	Discontinued - Discontinued
R05	0000094489	Running Belt Wax 554X3330X2.5T TM65	Discontinued
U05	1000337680	Bearing Dry Diam.X35.4x11.0L Jiou Jyu	Discontinued